



THE BRITISH SAMOYED CLUB

SCHEDULE of 27 Class Unbenched CHAMPIONSHIP SHOW

(To be held under Kennel Club Ltd Rules & Show Regulations)

Open to all - To Be Held At

**The Genesis Centre, 32-46 King St
Alfreton, Derbyshire DE55 7DQ**

Sunday 3rd December 2017

Show Opens 9am.

Judging commences 10am.

Judge: Mrs Pam Tyler (Tysam)

Only undocked dogs and legally docked dogs may be entered for exhibition at this show
The Judge at this show agrees to abide by the following statement in assessing dogs, judges must penalise any features
or exaggerations which they consider would be detrimental to the soundness health and wellbeing of the dog.

**Veterinary Surgeon On Call: Vets Now Emergency Ltd 216 King
St, Alfreton, Derbys, DE55 7DF. Tel: 01773688192**

Guarantors to the Kennel Club

Mrs. Sue Smith (Chairperson) Thornley Grove Farm, Tow Law D L13 4LJ:

Mr. N. Robinson (Secretary) : 5 Renaissance Court, Crewe CW1 6FN Tel: 01270
588087

Mrs. V. Lloyd (Treasurer) : Croeswylan, Penybontfawr, Oswestry SY10 0PE

Mrs V Freer (president) Woodview, Lichfield Rd Whittington Staffs WS14 9JY

Mr C Brooks 8 Maun View Gardens Sutton In Ashfield NG17 5 HL

Mrs M Brooks 8 Maun View Gardens Sutton in Ashfield NG17 5HL

ENTRIES CLOSE: Monday 12th November 2017

Online entries accepted up until midnight Monday 19th November 2017 at

www.arenaprint.co.uk

Entries to Mr N Robinson

5 Renaissance Court Crewe Cheshire CW1 6FN

Show Manager on the day Ms Kate Muncaster Tel 07990 848898



!! INFORMATION - VERY IMPORTANT !!

To make things easier for Exhibitors please note the following:

See Map on back outside cover.

You may park in the front of the Genesis Centre whilst spaces are available. Enter the show by the door to your right when you face the venue, this will be signed Samoyeds

Bring ALL dogs through this way.

NO DOGS THROUGH THIS REAR ENTRANCE BECAUSE OF THE FOOD EATING AREA.

You can bring crates etc in this way.

THE ENTRANCE WITH STAIRS WILL NOT BE IN USE AS AN ENTRANCE TO THE SHOW. BUT FOR ACCESS TO EXERCISE AREA.

This is a very good venue and we would appreciate your help in complying with the above.

Thank you (The Committee)

THE BRITISH SAMOYED CLUB WISH TO THANK



For their kind sponsorship our Championship Show

- A Small Bag of food for all class winners
- A Large Bag for Best in Show,

Reserve Best In Show and Best Puppy In Show

The British Samoyed Club

List of Officers

PRESIDENT: Mrs. V. Freer

VICE PRESIDENTS

Mr. J. Hopkin - Mrs. West – Mrs W Collier

Mr. D. Whitehouse, Mr. J. Lockett - Mrs. I. Green

Executive Committee for 2017/2018

HON. SECRETARY: Mr. N. Robinson

HON. TREASURER: Mrs. V. Lloyd

CHAIRPERSON : Mrs. Sue Smith

VICE CHAIRPERSON: Mr. C Brooks

COMMITTEE

Mrs M. Brooks - Miss P Bolderson - Mrs E Cameron - Mrs. J. Handley -Mrs. B. Johnson - Mr P Matfin – Mrs M Matfin - Mrs. K. Muncaster – Mrs. M. Payne – Mr P Shaw– Mrs D. Wilkes– Mrs K Prout

ADVISORY HEALTH AND SAFETY OFFICER: Mr. P Matfin

DONATIONS

Are welcome and will be acknowledged in the Catalogue

ROSETTES

BEST IN SHOW – RESERVE BEST IN SHOW - BEST OPPOSITE SEX -

BEST PUPPY - BEST OPPOSITE SEX PUPPY

BEST VETERAN – BEST OPPOSITE SEX VETERAN -CC & RCC WINNERS

1st to Reserve in all classes

SHOW INFORMATION

ENTRY FEES : Members £11.00 per dog first entry – Non-Members £15.00 per dog first entry

SUBSEQUENT CLASSES : £2.50 with same dog

NOT FOR COMPETITION : £2.50 per dog

MEMBERSHIP : Single £9.00 – Joint £10.00- Overseas £11.00

CATALOGUES : Pre Paid £2.00 (£3.00 on day)

ADVERTS : £5.00 full page - £3.00 half page

ROSETTE DONATION - £5.00 per class

ADVERTISEMENTS

Why not advertise in our catalogue—£5.00 full page—£3.00 half page You can include B & W photos

Refreshments will be available at the venue

Please keep this venue and surrounding area clean

Classification

Mrs Pam Tyler (Tysam)

Kennel Club Challenge Certificate Dog	Kennel Club Challenge Certificate Bitch
1 Minor Puppy Dog	14 Minor Puppy Bitch
2 Puppy Dog	15 Puppy Bitch
3 Junior Dog	16 Junior Bitch
4 Yearling Dog	17 Yearling Bitch
5 Maiden Dog	18 Maiden Bitch
6 Novice Dog	19 Novice Bitch
7 Graduate Dog	20 Graduate Bitch
8 Post Graduate Dog	21 Post Graduate Bitch
9 Limit Dog	22 Limit Bitch
10 Open Dog	24 Open Bitch
11 Veteran Dog	23 Veteran Bitch
12 Breeders Dog	25 Breeders Bitch
13 Good Citizen	26 Good Citizen

27 Brace

Best In Show, Best Veteran & Best Puppy in Show will be judged after class 26

ABOUT OUR JUDGE – Mrs Pam Tyler

In 1968 brought her first Samoyed for her husband's 21st birthday

Having caught the bug, an 8 week old puppy was purchased Zwam kova of St Nicholas Crypt

And in 1970 was winning BOB and best puppy in show at 9 moths also qualifying for Crufts at the BRITISH SAMOYED CLUB

More dogs arrived St Nicholas Crypt Zarina winner 2 challenge certificate 10 reserves

Yaniska of Airebis CH Yanik of Airebis ,winning BOB at Crufts under John Hopkin also the bitch cc

Tysam Something Specia,l Ch Silver Royce Star, Ch Annecy A Winter's Tale

I have also bred overseas Champions

Samoyeds have been a big part of my life until retiring to France

RULES & REGULATIONS

1. The Show will open at **9.am**
2. Dogs will be received at any time but it is the exhibitors responsibility to ensure that exhibits are available for judging when required.
3. Judging will commence at **10.00 am**.
4. Exhibits may be removed from the Show after their judging has been completed. The show will close half an hour after all judging has been completed.
5. The use of cooking stoves in the proximity of the show area is forbidden except as authorised by the Show Management.
6. **Entry Fees** - Members £11.00 – Non Members £15.00 per class per dog - subsequent classes same dog £2.50 - Membership £9.00 Single, £10.00 joint , Overseas £11.0 Catalogues £2.00 prepaid, £3.00 on the day. Not For Competition £2.50
7. There will be no prize money at this show.
8. The Committee reserve to itself the right to refuse entries.
9. Puppies under six calendar months of age on the first day of the show are not eligible for exhibition
10. The mating of bitches within the precincts of the show is forbidden

11. Best Puppy in Show From 1st January 2015, and for a period of two years the Kennel Club Show Regulations which stipulate that dogs must be entered and exhibited in a breed class before exhibiting in an Any Variety Class/Stakes Class and that only unbeaten dogs are eligible to compete in the group or best in competitions are suspended.(Please refer to the FAQs on the Kennel Club Website for further information)

Best Puppy in Show. Where a Best Puppy in Show competition is scheduled the Best Puppy in Show is a puppy which has competed and is unbeaten by any other puppy exhibited at the same Show. A puppy is a dog of six and not exceeding twelve calendar months of age on the first day of the Show. Where the Best in

Show is a puppy it will also automatically be Best Puppy in Show. Similarly, if the Reserve Best in Show is a puppy which has only been beaten by an adult dog it will also automatically be Best Puppy in Show. Consequently, selection of Best Puppy in Show must follow the selection of Best in Show. Best Puppy in Show must be selected from puppies which have been judged and which are unbeaten by any other puppy. Puppies which become eligible for Best Puppy in Show may be withdrawn from all other competition, other than Breed Classes prior to the competition for Best Puppy in Show as appropriate, in order to remain unbeaten. A puppy beaten in competition for Best Puppy in Show may subsequently be exhibited in all competition for which it was previously eligible. The dog declared Best Puppy in Show, however, must not compete in any subsequent competition. **Proviso** For the purpose of this Regulation, dogs beaten in competition for Stud Dog, Brood Bitch, Progeny, Brace and Team or a Special Award confined to one breed will not be considered to be a beaten dog.

12 Best in Show From 1st January 2015, and for a period of two years the Kennel Club Show Regulations which stipulate that dogs must be entered and exhibited in a breed class before exhibiting in an Any Variety Class/Stakes Class and that only unbeaten dogs are eligible to compete in the group or best in competitions are suspended.(Please refer to the FAQs on the Kennel Club Website for further information) The dog declared Best in Show is a dog which had competed and is unbeaten by any other dog exhibited at the same Show. Best in Show must be selected from the exhibits declared Best of Sex providing they are unbeaten winning dogs. Reserve Best in Show must be selected from the Best Opposite Sex and the Reserve Best of Sex to the exhibit declared Best in Show. The dogs declared Best in Show and Reserve Best in Show must not compete in any subsequent competition. Dogs which become eligible for Best in Show maybe withdrawn from all other competition, other than breed classes prior to the competition for Best in Show as appropriate in order to remain unbeaten. A dog beaten in competition for Best in Show may subsequently be exhibited in all competition for which it was previously eligible. The dogs declared Best in Show and Reserve Best in Show however, must not compete in any subsequent competition. **Proviso** For the purposes of this Regulation, dogs beaten in competition for Stud Dog, Brood Bitch, Progeny, Brace and Team or a Special Award confined to a single breed, will not be considered to be beaten dogs.

13. Exhibits will not be admitted to Best in Show competition after a period of ten minutes has elapsed since the announcement that exhibits are required for judging, unless they have been unavoidably delayed by previous judging not completed on time, and then only with the special permission of the Show Management.

14. No modifications will be made to the schedule except by permission of the General Committee of The Kennel Club, which will be followed by advertisement in the Canine press wherever possible.

15. All exhibitors must be familiar with Kennel Club Regulation F (Annex B) - Regulations for the Preparation of Dogs for Exhibition.

16. All dogs resident outside the UK must be issued with a Kennel Club Authority to Compete number before entry to the show/event can be made. All overseas entries without an Authority to Compete number will be returned to the exhibitor/competitor.

17 Dogs in Cars on Hot Days - Your dog is vulnerable and at risk during hot weather and the Kennel Club offers the following guidance to help guide you through the do's and don'ts travelling to and whilst at KC licensed events.

- When travelling to a show please take a moment to consider whether the route to the show is on a busy holiday route, and leave earlier to avoid increased time in traffic jams.
- If your vehicle is not air-conditioned seriously consider whether travelling to the show is a good idea at all.
- The vehicle should be as fully ventilated as possible, and plenty of stops should be taken, with lots of water available to drink.
- Ensure your dog is not sitting in full sunlight. There should be plenty of free flowing air around the dog.
- When at the show, never leave your dog in the vehicle.
- Keep the dog in the shade – take your own shade for example a large umbrella and always have plenty of water available to drink so your dog stays well hydrated.
- Avoid your dog taking part in unnecessary exertion, or from standing in exposed sunlight for extended lengths of time.

Remember, if you feel hot your dog is very likely to feel much hotter and dehydrated, and this could lead to dire results. Please look after your dog's welfare.

WARNING: IF YOUR DOG IS FOUND TO BE AT RISK FORCIBLE ENTRY TO YOUR VEHICLE MAY BE NECESSARY WITHOUT LIABILITY FOR ANY DAMAGE CAUSED.

Anyone whose dog is entered at a Kennel Club licensed event should take all reasonable steps to ensure the needs of their dog(s) are met, and should not put a dog's health and welfare at risk by any action, default, omission or otherwise.

18. Not for Competition entries will be accepted. Details of each dog so entered must be recorded on the entry form and must be Kennel Club registered

19. Breach of Kennel Club Regulations in this respect may be referred to the General Committee for disciplinary action under Kennel Club Rules and Regulations.

20. Right to Refuse Entries. Exhibitors/Competitors are reminded that show societies have the right under Kennel Club Regulation to refuse any entry.

21. The Show will be held under Kennel Club Rules and Show Regulations. Every exhibitor making an entry or entries at this show shall be deemed to have agreed to abide by these Rules and Regulations and it is on this understanding only that entries are received. The Committee reserve the right to refuse entries.

22. The Committee of this show cannot be held responsible for products advertised or sold by standholders at the show, and remind exhibitors that such products may not meet the requirements of the Regulations for the Preparation of Dogs for Exhibition.

23. Exhibitors/handlers are responsible for clearing up and removing any loose hair or fouling from dogs in their charge, or any other litter, whether from the car park, the exercise area or from any other part of the venue.

24. Parents/Guardians please note, well behaved children are welcome but those in charge of children will be held fully responsible for their actions and any damage caused within the environs of the show.

25. Owners, handlers, exhibitors or any other person in charge of a dog at a Kennel Club licensed event must ensure at all times that the dog is kept under proper control whilst at the licensed venue including its environs, car parks and approaches.

26. A dog may be disqualified by the General Committee from any award, whether an objection has been lodged or not, if proved amongst other things to have been registered or recorded as having been bred by the scheduled judge. This shall not apply to a judge appointed in an emergency.

27. Each exhibitor is responsible for providing their own crate or cage identification and should note that the original exhibit/bench number card, as provided by the show society, must not be used for this purpose.

28. Please note that this is an unbenched show. Please keep cages within the area designated for that purpose.
Grooming Area.

A grooming area will be set aside for tables.

29. Cancellation or abandonment: Entry fees will not be refunded in any circumstances where unforeseen reasons cause cancellation or abandonment of the show after entries have closed.

30. Dogs owned in partnership entered into the show both owners must be members of the club to qualify for members entry fee rates.

31. Exhibitors must not pick up dogs by their tails and leads when lifting them. This is not acceptable. Exhibitors should note that such practice would constitute harsh handling and reports of such practice will be referred to the Committee under Kennel Club Show Regulation

F11

DEFINITION OF CLASSES

In the following definitions, a Challenge Certificate includes any Show award that counts towards the title of Champion under the Rules of any governing body recognised by The Kennel Club. Show awards issued by the Irish Kennel Club which count towards the Title of Champion, shall be five point Green Stars or more. Wins at Championship Shows in breed classes where Challenge Certificates are not on offer shall be counted as wins at Open Shows. In the case of a dog owned in partnership and entered in Members' classes or competing for Members' Specials each partner must at the time of entry be a member of the Society. In estimating the number of awards won, all wins up to and including the seventh day before the date of closing of entries shall be counted when entering for any class i.e. 4th September 2017 Wins in Variety classes do not count for entry in Breed classes but when entering in Variety classes, wins in both Breed and Variety classes must be counted. A first prize does not include a Special Prize of whatever value. If an exhibitor reports before the judging of a class or classes that a dog has been entered which is ineligible, the exhibitor may choose one of the following options:- (1) Withdrawal The dog may be withdrawn from competition subject to the conditions of Regulations 9(j) and 20. (2) Transfer a) If a dog is ineligible for a class or classes as regards its colour, sex, weight or height the Show Secretary shall transfer it to the equivalent class or classes for the correct colour, sex, weight or height and, in the event of there being no equivalent class, Minor Puppy and Puppy excepted to the Open class for the correct colour, sex, weight or height. b) For an exhibit entered incorrectly in a Minor Puppy Class, Puppy Class or Junior Class, which is over age but under twelve calendar months of age, eighteen calendar months of age or 24 calendar months of age respectively, the Show Secretary shall transfer the exhibit to the Puppy Class, Junior Class or Yearling Class respectively for the correct colour, sex, weight or height and in the event of there being no Puppy, Junior or Yearling Class to the Open Class for the correct colour, sex, weight or height. c) For any reason other than the above, the Show Secretary shall transfer It to the Open Class for the correct colour, sex, weight or height. d) If an exhibit arrives late and misses a class, even if it is the only class in which the dog is entered, the dog may not be transferred to any other class.

MINOR PUPPY - For dogs of six and not exceeding nine calendar months of age on the first day of the Show.

PUPPY - For dogs of six and not exceeding twelve calendar months of age on the first day of the Show.

JUNIOR - For dogs of six and not exceeding eighteen calendar months of age on the first day of the Show.

YEARLING - For dogs of twelve and not exceeding twenty four calendar months of age on the first day of the Show whether restricted or not.

NOVICE - For dogs which have not won a Challenge Certificate or three or more First Prizes at Open and Championship Shows (Minor Puppy, Special Minor Puppy, Puppy and Special Puppy classes excepted, whether restricted or not)

GRADUATE- or dogs which have not won a Challenge Certificate or four or more First Prizes at Championship Shows in Graduate, Post Graduate, Minor Limit, Mid Limit, Limit and Open classes, whether restricted or not where Challenge Certificates were offered for the breed

POST GRADUATE For dogs which have not won a challenge certificate or five or more First prizes at Championship shows in Post graduate, minor limit, mid limit, limit or open classes whether restricted or not.

LIMIT For dogs which have not become show Champions under Kennel Club Regulations or under the rules of any governing body recognised by the Kennel Club or won seven or more First Prizes in all at Championship Shows in Limit or Open Classes confined to the breed, whether restricted or not, at shows where Challenge Certificates were offered for the breed

OPEN For all dogs of the breed for which the class is provided and eligible for entry at the show

VETERAN For dogs of not less than seven years of age on the first day of the Show.

BRACE For two exhibits (either sex or mixed) of one breed belonging to the same exhibitor, each exhibit having been entered in some class other than Brace or Team.

GOOD CITIZEN For dogs who have achieved at the least the Kennel Club Bronze Award.

NOT FOR COMPETITION Societies may at their discretion, accept Not for Competition entries. Societies may accept such entries from breeds of dog not included within the title of the Society and at Shows held over more than one day, such entries may be accepted on any day from any Breed.

BRITISH SAMOYED CLUB
CUPS & TROPHIES – Championship Show

Please Note : Where dogs are owned in partnership and eligible for a Trophy each partner must be a member of the Society.

Trophies will be awarded to class winners plus BIS,BOS, RBIS, BP,BOSP,BV,BOSV

40
YEARS
HEALTH
NUTRITION


ROYAL CANIN

**If we thought all dogs
were the same, we
would be just another
Pet Food Company.**



For more information please call: **(UK) 0845 300 5011**
(ROI) 0044 845 300 5011 or visit our website

royalcanin
co.uk

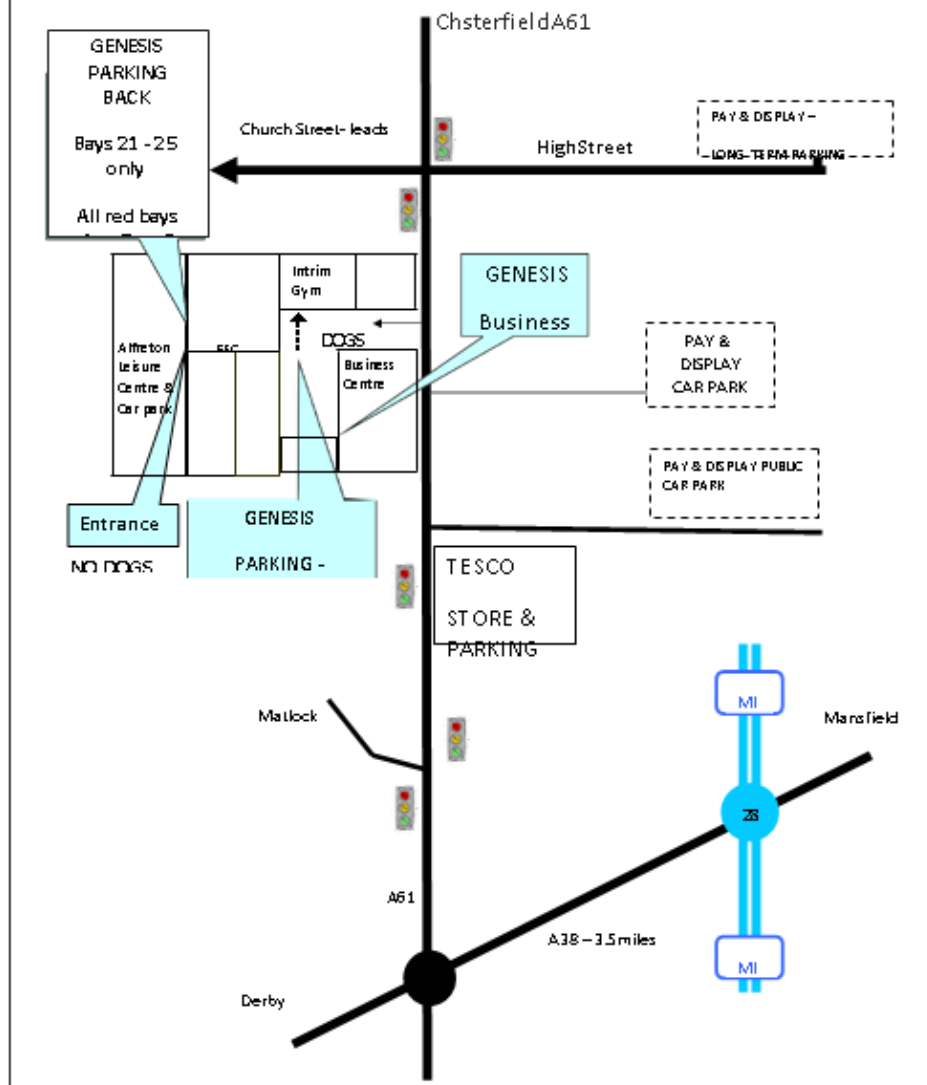
© Royal Canin, s.p.a. 2015. Tutti i diritti sono riservati. Royal Canin è un marchio registrato. Fotografie: iStock/Colinny & John-Peter/L. B.

GENESIS Car- Parking- BACK: via Church Street and adjacent to Alfreton Leisure

Centre. Red bay numbers 21-25 only. Enter the building by the passage through GENESIS Family ENTRANCE- See notes etc on inside cover.

GENESIS Car- Park- FRONT: off King Street through the Bluegates opposite the Four Horses Pub.

to



THE BRITISH SAMOYED CLUB
27 CLASS Unbenched CHAMPIONSHIP SHOW
 (held under Kennel Club Ltd Rules and Regulations)

On Sunday 3rd DECEMBER 2017

At: The Genesis Centre King St Alfreton

ENTRIES CLOSE:- MONDAY 12th NOVEMBER 2015 (Postmark)

online entries accepted up to midnight **19th** November at www.arenaprint.co.uk

**PLEASE MAKE ALL CHEQUES AND
 POSTAL
 ORDERS PAYABLE TO:-**

THE BRITISH SAMOYED CLUB

**ENTRIES WILL NOT BE ACCEPTED
 WITHOUT THE APPROPRIATE FEES**

Members : 1st Entry : £11.00
 Sub entries with same dog : £2.50
 Non Members : 1st Entry £15.00
 Sub Entries with same dog : £2.50.

Not For Competition £2.50 per dog
 Membership Single - £9.00 Joint £10.00
 Pre paid Catalogue : £2.00 (£3.00 on day)
 Adverts £5.00 full page : £3.00 half page
 Rosette Donation £5.00 per class
 Canine Diabetes Research Donation

**Dogs owned in partnership each owner must be
 a member of the club to qualify for members
 entry fee rates.**

TOTAL

.....

INSTRUCTIONS This form must be used by one person only (or partnership). Writing must be in BLOCK LETTERS and in ink. Use one line for each Dog. The name of the dog and its details as recorded with the Kennel Club must be given on this entry form. If an error is made the dog may be disqualified by the Committee of the Kennel Club. All Dogs must be REGISTERED at the Kennel Club in the name of the exhibitor. If the registration or transfer of ownership has not been confirmed it must be applied for before the closing date of entries. In the case of dispute proof of posting of such applications may be required by The Kennel Club. If a registered dog has changed ownership the TRANSFER must be registered before the date of the show. A puppy under 6 months of age on the first day of the Show cannot be entered for competition. On no account will entries be accepted without fees. If a dog is in the process of Registration or Transfer at the time entry is made, add the letters NAF or TAF as appropriate after it's name. Please put classes in numerical order USE BLOCK CAPITALS throughout when completing the entry form. The Kennel Club Authority to Compete number (for dogs registered and resident outside the UK) must be stated or the entry will be returned PLEASE CHECK ALL DETAILS BEFORE POSTING.

BLOCK LETTERS Registered Name of Dog	BREED	SEX D / B	DATE OF BIRTH	BREEDER If Owner put Exh	BLOCK LETTERS SIRE	BLOCK LETTERS DAM	Entered in Classes
ATC NO	SAMOYED						
ATC NO	SAMOYED						
ATC NO	SAMOYED						
ATC NO	SAMOYED						
ATC NO	SAMOYED						
Please enter the number of children for Santa	Girls	Ages.....				
	Boys	Ages.....				

Only undocked dogs and legally docked dogs may be entered for exhibition at this show.

DECLARATION I/We agree to submit to and be bound by Kennel Club Ltd Rules & Regulations in their present form or as they may be amended from time to time in relation to all canine matters with which the Kennel Club is concerned and that this entry is made upon the basis that all current single or joint registered owners of this dog(s) have authorised/consented to this entry. I/We also undertake to abide by the Regulations of this Show and not to bring to the Show any dog which has contracted or been knowingly exposed to any infectious or contagious disease during the 21 days prior to the Show, or which is suffering from a visible condition which adversely affects its health or welfare or to bring any dog which has been prepared for exhibition contrary to Kennel Club Regulations for the Preparation of Dogs for Exhibition F (Annex B). I/We agree without reservation that any Veterinary Surgeon operating on any of my/our dogs in such a way that the operation alters the natural conformation of the dog or part thereof may report such operations to the Kennel Club. I/We declare that where any alteration has been made to the natural conformation of the dog(s) the relevant permission to show has been granted by the Kennel Club. I/We further declare that I believe to the best of my knowledge that the dogs are **not liable to disqualification under Kennel Club Show Regulations.**

Usual Signature of Owner(s) Date

NOTE: Dogs entered in breach of Kennel Club Show Regulations are liable to disqualification whether or not the owner was aware of the breach.

Block letters please

In the case of joint registered ownership the name of every owner must be given

Name of Owner(s) Mr/Mrs/Miss/Ms.....

Affix (Kennel Name).....

Address.....

Email.....

Post Code..... Telephone.....

All Entries must be prepaid and sent to:
Mr N Robinson 5 Renaissance Court Crewe CW1 6FN
Tel 01270 588087

Your Name and Address will be printed unless you tick the appropriate space
 ADDRESS..... TELEPHONE.....

REGULATION FOR THE PREPARATIONS OF DOGS FOR EXHIBITION F(b)

1. These regulations must be observed when a dog is prepared for exhibition and/or exhibited at any Kennel Club licensed event. Objections may be referred to the General Committee for disciplinary action under these show regulations and/or for disciplinary action under Kennel Club Rule A42.
 - a) a dog found to have been exhibited in breach of these regulations will automatically be disqualified from exhibition at the show and from any award gained there at.
 - b) Unless the exhibitor provides a satisfactory explanation for the dog being exhibited in breach of these regulations then he/she may be subject to further penalties of either a fine or as listed under Rule A42
2.
 - (a) No substance which alters the natural colour, texture or body of the coat may be present in the dog's coat for any purpose at any time during the show. No substance which alters the natural colour of any external part of the dog may be present on the dog for any purpose at any time during the show.
 - (b) Any other substance (other than water) which may be used in the preparation of a dog for exhibition must not be allowed to remain in the coat or on any other part of the dog at the time of exhibition.
3. No act or operation which alters the natural conformation of a dog or any part thereof may be performed except
 - (a) Operations certified to the satisfaction of the General Committee.
 - (b) the removal of dew claws of any breed
 - (c) Operations to prevent breeding provided that such operations are notified to the Kennel Club before neutered dogs are shown
Nor must anything be done calculated to in the opinion of the General Committee to deceive.
4. The General Committee without previous notice may order an examination of any dog or dogs at any show. Any examination thus ordered will be made by a person having executive authority who shall have a written directive from the Kennel Club in their possession. Samples may be taken for further examination and analysis.
5. An individual has the right to lodge an objection to a dog only if he/she is the owner or handler of a dog competing in the same breed or class. An objection may however, be lodged by an official of the show or by anyone so deputed by the Kennel Club. It will be the responsibility of the individual who lodges the objection or the official (as appropriate), to substantiate the grounds for the objection. The Kennel Club will substantiate the grounds for an objection made on its behalf.
6. Any objection by an individual related to an infringement of these Regulations must be made in writing to the Show Secretary at his/her office before the close of the show and the individual must produce evidence of identity at the time of lodging the complaint.

DOGS IN CARS ON HOT DAYS - Your dog is vulnerable and AT RISK if left in a vehicle in high temperatures and even on days considered as slightly warm. Please take care of your dog. If your dog is found to be at risk forcible entry to your vehicle may be necessary without liability for any damage caused